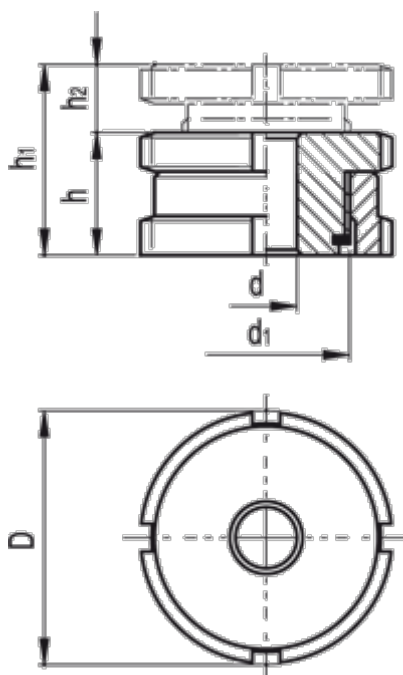


Article number: 20665212A  
Description: E+G Levelling set  
GN 350.1-45-11-NI

## Measures



C-spanner DIN 1810	= A45-50
d	= 11.0
D	= 45
d1	= M30x1
For screw	= M10
h	= 22
h1	= 29
h2	= 7

Max static load (N)	= 84.0
Static preload (N)	= 64.0
Weight (g)	= 216